

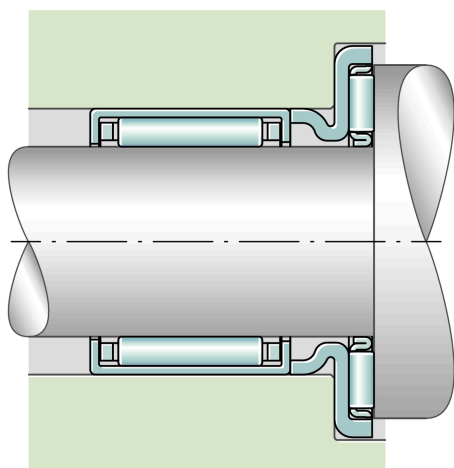
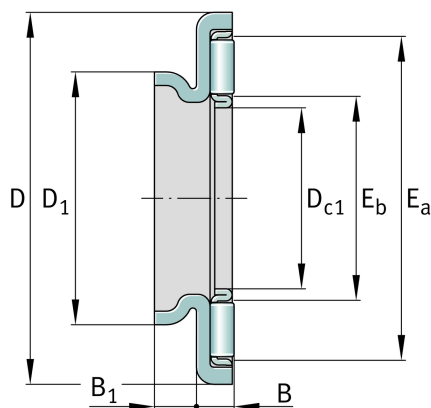
## AXW25

### Axial needle roller bearing

Schaeffler ID:  
0001616400000

Axial needle roller bearings, single  
direction, AXK with axial bearing washer

### Technical information



### Main Dimensions & Performance Data

$D_{c1}$	25 mm	Bore diameter cage
$D$	45 mm	Outside diameter bearing washer
$B$	3.2 mm	Height bearing
$B_1$	4 mm	Height centering collar
$D_1$	32 mm	Outside diameter centering collar
$E_a$	41 mm	Raceway dimension
$E_b$	29 mm	Raceway dimension
$C$	14,800 N	Basic dynamic load rating, axial
$C_{0a}$	58,000 N	Basic static load rating, axial
$c_{ua}$	6,000 N	Fatigue load limit, axial
$n_G$	8,600 1/min	Limiting speed
$n_{\vartheta r}$	4,550 1/min	Reference speed
	20.08 g	Weight

### Additional information

AS2542	Axial bearing washer
HK2518-RS	Drawn cup needle roller bearings turned
HK2516	Drawn cup needle roller bearings
HK2520	Drawn cup needle roller bearings
HK2526	Drawn cup needle roller bearings
HK2538-ZW	Drawn cup needle roller bearings
HK2512	Drawn cup needle roller bearings for radial bearing arrangement
BK2520	Needle bush
BK2526	Needle bush
BK2538-ZW	Needle bush
NK120/16	Needle roller bearings with inner ring
NK120/20	Needle roller bearings with inner ring
NK24/16	Needle roller bearings with out inner ring
NK24/20	Needle roller bearings with out inner ring
NKS20	Needle roller bearings with out inner ring

